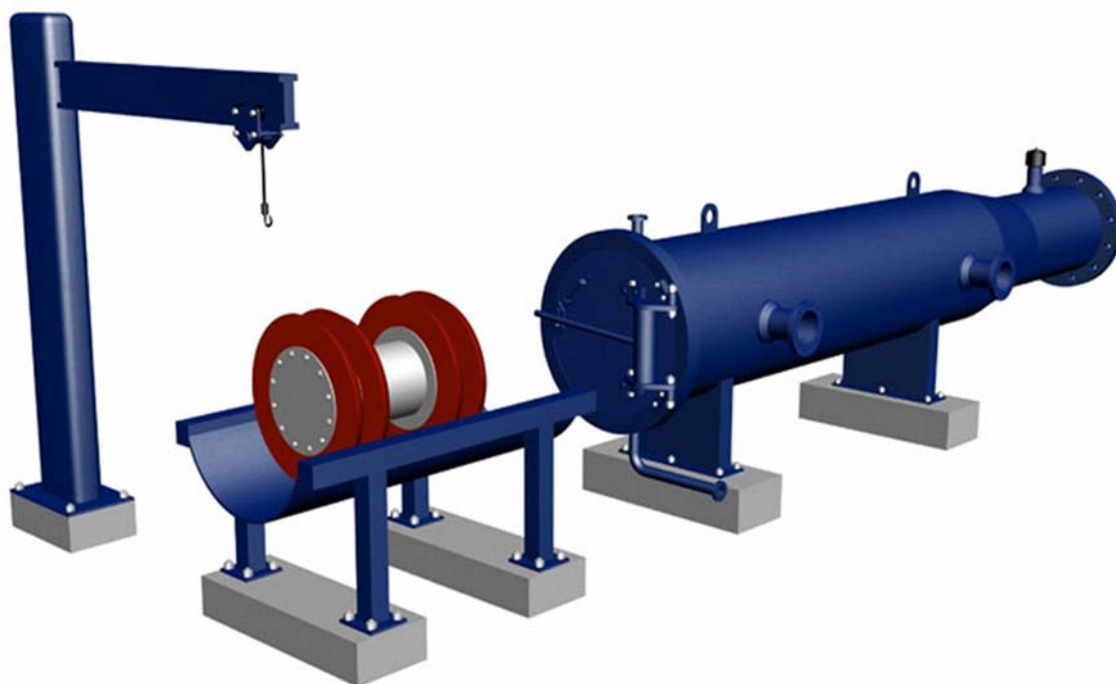


Pig Launcher & Receiver Traps



The **PIG LAUNCHERS & RECEIVERS** are designed for the introduction and removal of various types and sizes of PIGS within a pipeline system.

Both, **PIG LAUNCHER & RECEIVER** are equipped with quick opening closures according to ANSI codes.

The standard receivers are provided with mechanical PIG passage indicators. They have a bypass or kick-out line that is approximately one-third the pipeline size. They are also equipped with pressure gauge (display unit), vent and drain outlets.

PIG LAUNCHERS & RECEIVERS are available in sizes 10" through 48".

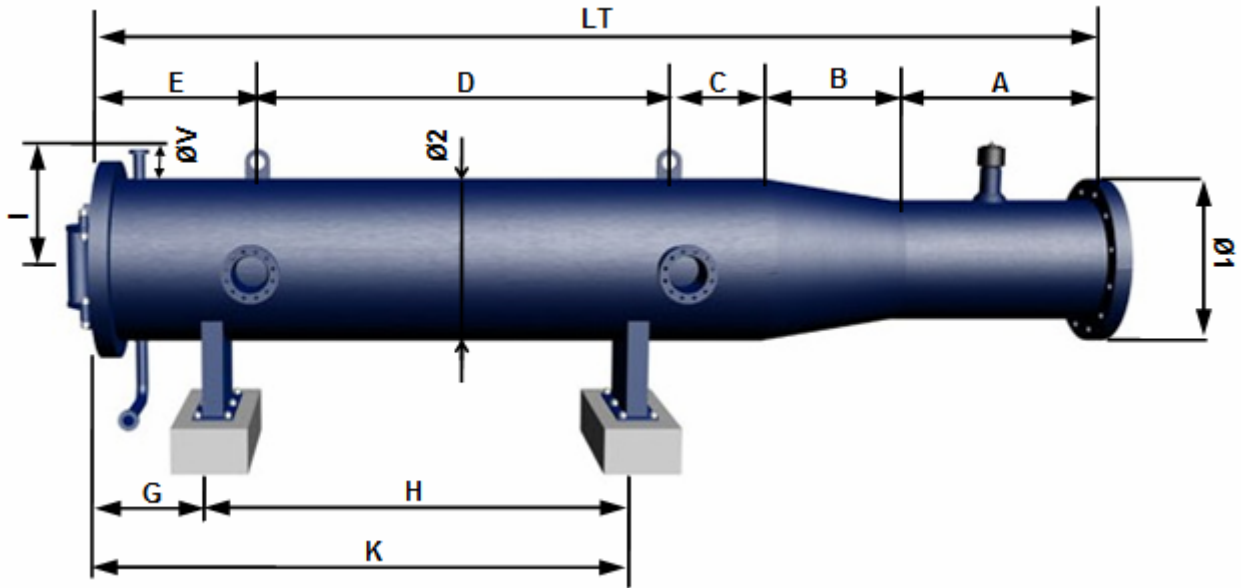
Tecpesa can also offer complete pigging systems – specialized according to the customer's specifications.

TECPESA's standard **PIG LAUNCHERS & RECEIVERS** include pressure testing, 100% weld inspection and certification.

The quality control is in accordance with the client's specifications: Radiographic Testing, Ultrasonic Testing, Magnetic Particle Examination, Hydrostatic Pressure Testing are available.



We stay in line



PIG LAUNCHERS & RECEIVERS

Diameters (inch)			Dimensions (mm)									
Ø1	Ø2	Øv	A	B	C	D	E	G	H	I	K	LT
10	14	1 1/2	178	330	228	1000	584	360	1000	428	1812	2320
12	16	1 1/2	203	356	228	1300	584	360	1300	453	2112	2671
14	18	1 1/2	235	381	228	1450	584	360	1450	478	2262	2878
16	20	1 1/2	356	508	228	1727	584	360	1727	504	2539	3403
18	22	1 1/2	381	508	336	2092	638	360	2092	529	3066	3955
20	24	1 1/2	508	508	336	2670	638	360	2670	555	3644	4660
24	28	1 1/2	610	610	438	3430	689	360	3430	606	4557	5777
26	30	2	610	610	438	3850	689	360	3850	631	4977	6197
28	32	2	610	610	546	4110	734	360	4110	656	5390	6610
30	34	2	610	610	546	4300	734	360	4300	682	5580	6800
32	36	2	610	610	648	4300	794	360	4300	707	5742	6962
34	38	2	610	610	648	4300	794	360	4300	733	5742	6962
36	40	2	610	610	648	4300	794	360	4300	758	5742	6962
38	42	2	610	610	648	4300	794	360	4300	783	5742	6962
40	44	2	610	610	648	4300	794	360	4300	809	5742	6962
48	52	2	711	711	812	4300	878	360	4300	910	5990	7412

The figures indicated on the chart above may vary

TECPESA, S.A.

Balmes 129 Bis, 1º, 1ª - 08008 Barcelona - Spain
 Tel: +34 934 510 760 Fax: +34 934 510 793

sales@tecpeasa.com
 www.tecpeasa.com