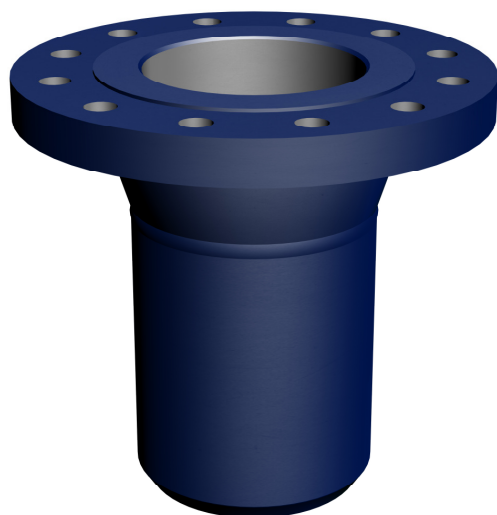


Hot-Tap Fittings

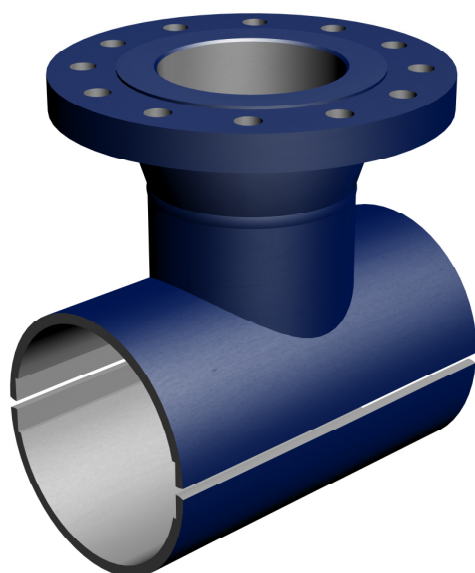
Without Mechanized Flange



The **HOT-TAP FITTINGS** are full branch split tees designed for equipment tie-ins, lateral connections and line extensions with permanent full bore valve without shutdown.

The **HOT-TAP FITTING** are equipped with a welding neck flange RF according to ANSI Class 150, 300, 600 or 900. They are available from 2" to 48". Larger sizes and pressure ratings are available by request. They are designed to be used with the TECPESA Hot-Tap equipment TBL-182TH, TBL-242TH, TBL-302TH, TBL-0322, TBL-0644 and TBL-1106 or with other Hot-Tap Equipments with flange connection.

According to size of the main pipeline and the client's specifications, the Hot-Tap Fitting can be manufactured with a different reinforcement like: a **Weldolet or Pad**. If the **HOT-TAP FITTING** has the same size than the main pipeline (size-on-size), the fitting needs a full encirclement reinforcement. In case there is no reinforcement needed, TECPESA also manufactures this fitting with a scarfed or flat bottom ending.



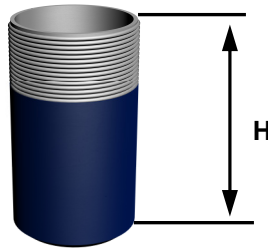
The **HOT-TAP FITTINGS** are also available with a reducing branch to connect different pipeline sizes.

All fittings are stamped with a code number for material identification. Material certificates are included.

The quality control is according to the client's specifications. Radiography Testing, Ultra Sonic Test, Magnetic Particle Examination, Hydrostatic Testing, Physical Testing are available.

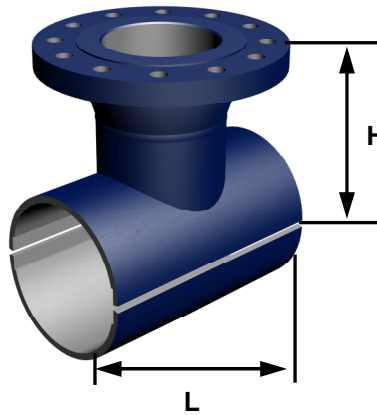


We stay in line



FLAT BOTTOM HOT-TAP FITTINGS

Size		H		Class 150		Class 300		Class 600	
inch	mm	inch	mm	Stock Number	kg	Stock Number	kg	Stock Number	kg
2	50	5,1	130	02.150.04.0000.00.00	0,5	02.300.04.0000.00.00	0,5	02.600.04.0000.00.00	1,0
3	75	7,9	200	03.150.04.0000.00.00	0,8	03.300.04.0000.00.00	0,8	03.600.04.0000.00.00	1,5



FULL ENCIRCLEMENT HOT-TAP FITTINGS

Size		L		Class 150			Class 300			Class 600					
inch	mm	inch	mm	Stock Number	H	W	Stock Number	H	W	Stock Number	H	W			
inch	mm	inch	mm	inch	mm	kg	inch	mm	kg	inch	mm	kg			
4	100	11	273	04.150.04.0204.00.00	6,6	165	18	04.300.04.0204.00.00	7,0	182	23	04.600.04.0204.00.00	7,0	182	25
6	150	14	356	06.150.04.0206.00.00	8,0	202	31	06.300.04.0206.00.00	8,3	210	36	06.600.04.0206.00.00	9,0	227	41
8	200	16	419	08.150.04.0208.00.00	9,5	240	57	08.300.04.0208.00.00	10,0	252	52	08.600.04.0208.00.00	11,0	270	66
10	250	20	508	10.150.04.0210.00.00	11,0	280	77	10.300.04.0210.00.00	11,5	289	81	10.600.04.0210.00.00	13,0	327	117
12	300	22	559	12.150.04.0212.00.00	20,0	322	120	12.300.04.0212.00.00	13,0	327	125	12.600.04.0212.00.00	14,0	366	160
14	350	25	635	14.150.04.0214.00.00	14,0	347	152	14.300.04.0214.00.00	14,0	366	171	14.600.04.0214.00.00	15,0	375	225
16	400	30	762	16.150.04.0216.00.00	16,0	395	235	16.300.04.0216.00.00	16,0	412	234	16.600.04.0216.00.00	16,0	412	287
18	450	33	838	18.150.04.0218.00.00	17,0	420	276	18.300.04.0218.00.00	17,0	464	285	18.600.04.0218.00.00	17,5	535	339
20	500	36	914	20.150.04.0220.00.00	18,0	447	405	20.300.04.0220.00.00	18,5	473	410	20.600.04.0220.00.00	20,0	554	504
22	550	40	1016	22.150.04.0222.00.00	19,0	477	488	22.300.04.0222.00.00	20,0	554	448	22.600.04.0222.00.00	21,0	562	719
24	600	43	1092	24.150.04.0224.00.00	20,5	512	558	24.300.04.0224.00.00	22,0	578	662	24.600.04.0224.00.00	22,0	578	789
26	650	47	1194	26.150.04.0226.00.00	21,0	530	616	26.300.04.0226.00.00	23,0	583	725	26.600.04.0226.00.00	24,7	602	1018
28	700	49	1245	28.150.04.0228.00.00	22,5	565	664	28.300.04.0228.00.00	24,0	630	812	28.600.04.0228.00.00	25,5	645	1137
30	750	51	1275	30.150.04.0230.00.00	24,5	612	730	30.300.04.0230.00.00	26,0	665	939	30.600.04.0230.00.00	27,0	697	1270
34	850	57	1432	34.150.04.0234.00.00	27,0	677	902	34.300.04.0234.00.00	28,5	740	1248	34.600.04.0234.00.00	30,0	766	1711
36	900	60	1510	36.150.04.0236.00.00	28,0	710	1012	36.300.04.0236.00.00	30,0	765	1277	36.600.04.0236.00.00	32,0	807	2148

Larger sizes can be designed upon customer's request

The figures indicated on the chart above may change

TECPESA, S.A.

Balmes 129 Bis, 1º, 1ª - 08008 Barcelona - Spain
 Tel: +34 934 510 760 Fax: +34 934 510 793

sales@tecpeasa.com
 www.tecpeasa.com